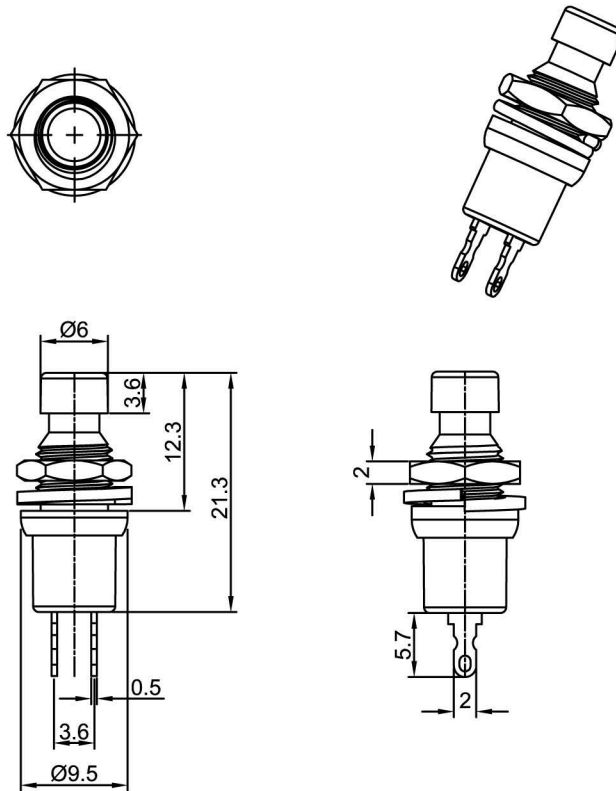


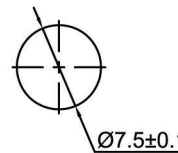
PB05



Rating: 3A 125 VAC
 1.5A 250 VAC
 Contact Resistance: 20mΩ Max.
 Insulation Resistance: DC 500V 100MΩ Min.
 Dielectric Strength: AC 1000V 1 minute
 Total travel: 1.4±0.4mm
 Operating Force: 200±50gf
 Mechanical Life: Over 30,000 cycles
 Electrical Life: Over 10,000 cycles
 Operating Temperature: -20°C~+70°C
 Soldering Temperature: 256°C for 5 Seconds
 Function: OFF - (ON)
 Welding method: Manual Soldering
 (350° C±5° C, 3s±0.5s)

MATERIAL:

Base: Brass, Chrome or Tin plated ;
 Cap: ABS ;
 Terminal: Copper, Silver or Tin plated ;
 Nut: Brass, Chrome or Tin plated .



CUT-OUT



Panel Thickness: 3mm MAX.

PB05-B-B
 01.087.0086